

SPECIFICATION

A: MATERIAL:

- 1.BODY: NYLON 66
- 2.TERMINAL: Cu PLATED Sn
- 3.PIN: Cu PLATED Ni
- 4.COVEY: NYLON 66

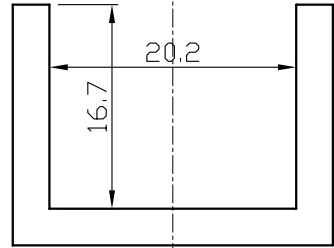
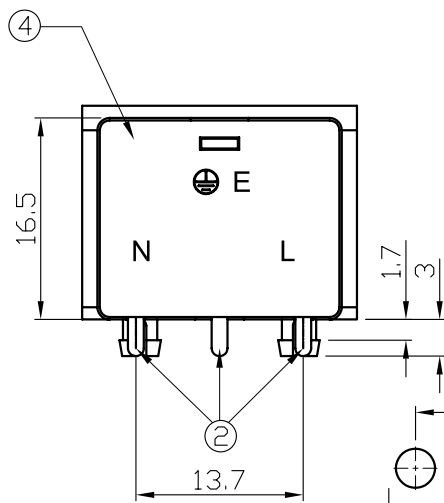
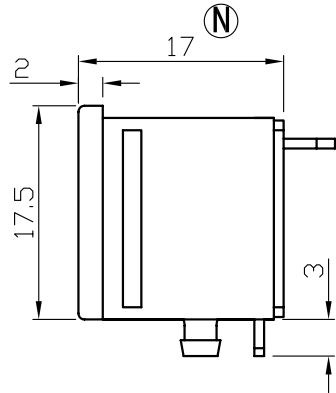
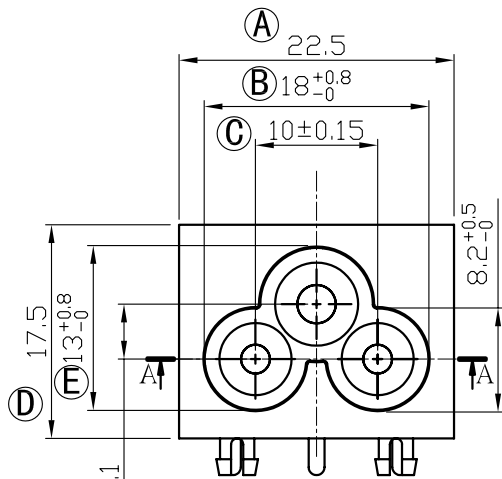
B: CHARACTERISTICS:

- 1.RATING: 2.5A 250V~(C-ULus, ENEC & CCC)
- 2.INSULATION RESISTANCE:100MΩ MIN,AT 500VDC
- 3.ELECTRIC STRENGTH : AC 3,000 V/1 MIN,LEAKAGE CURRENT UNDER 0.5mA

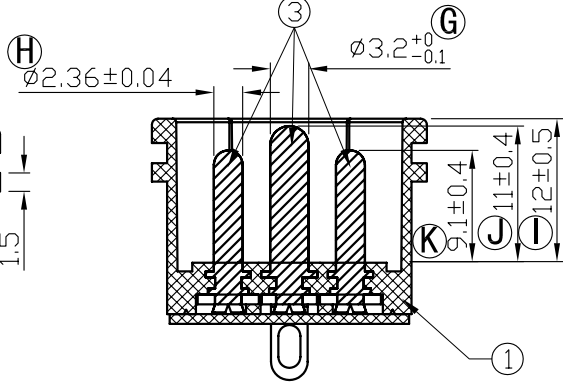
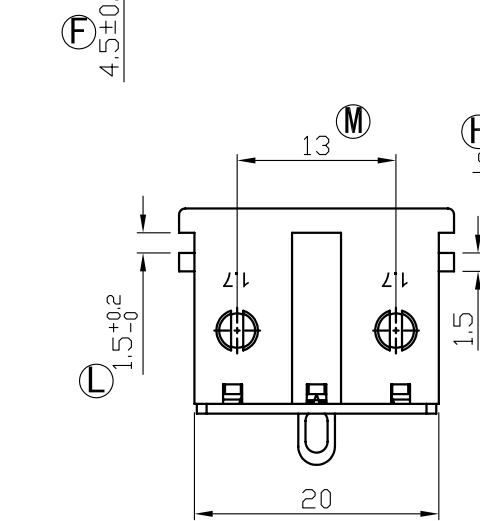
C: APPROVALS: C-ULus, ENEC & CCC

D: MATERIAL USED MUST BE COMPLY WITH HQI-0010

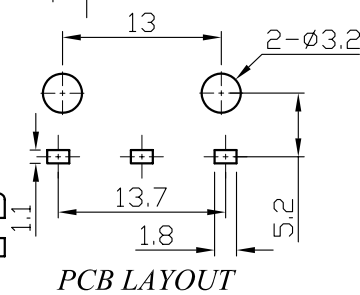
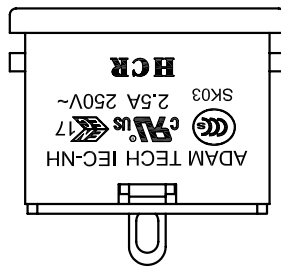
E: CAN MEET ROHS,ROHS2.0,HF



PANEL CUT-OUT



SECTION A-A



PCB LAYOUT

TOLERANCES UNLESS OTHERWISE 未指定容許差尺寸之公差	
BASIC DIMENSIONS TOLERANCES	
UP TO 10 (10以下)	±0.1
ABOVE 10 TO 30(10~30)	±0.3
ABOVE 30 TO 100(30~100)	±0.5
ANGULAR DIMENSIONS(角度)	±5°
DIMENSION UNIT	mm

東莞市華之力電子有限公司 DONGGUAN HCR ELECTRONICS CO., LTD.

2					核准 APPROVED BY	AaronJin	日期 DATE	20121020	投影法 PROJECT		機型 PART NAME	INLET SOCKET
1	2012/11/13	1.依客户要求变更结构设计 2.变更料号SK03-2401101521CH=>SK03-2401101521CH(A)	A1	WeiChen	校對 CHECKED BY	RZTang	日期 DATE	20121020	比例 SCALE	1:1	型號 PART NO	SK03
0	2012/10/20	1.新制訂	A0	WeiChen	繪圖 DRAWN BY	WeiChen	日期 DATE	20121020	路徑 DWG NO	E:\成品圖 \SK03\830063	料號 ITEM NO	SK03-2401101521CH (A)
NO	DATE	REVISION DESCRIPTION	REVISION	RDRAWN	APPROVED							